



USB-485 Converter



User Guide

All rights reserved. No part of this User Guide may be reproduced or transmitted in any form or by any means, electrical or mechanical including photocopying, recording or by any information storage or retrieval system without permission in writing from the publisher.

Copyright Invertek Drives Ltd © 2005

The manufacturer accepts no liability for any consequences resulting from inappropriate, negligent or incorrect installation.

The contents of this User Guide are believed to be correct at the time of printing. In the interests of a commitment to a policy of continuous improvement, the manufacturer reserves the right to change the specification of the product or its performance or the contents of the User Guide without notice.

SAFETY

This option module is specifically designed to be used with the Optidrive variable speed drive product and is intended for professional incorporation into complete equipment or systems. If installed incorrectly it may present a safety hazard. The Optidrive uses high voltages and currents, carries a high level of stored electrical energy, and is used to control mechanical plant that may cause injury. Close attention is required to system design and electrical installation to avoid hazards in either normal operation or in the event of equipment malfunction.

System design, installation, commissioning and maintenance must be carried out only by personnel who have the necessary training and experience. They must read carefully this safety information and the instructions in this Guide and follow all information regarding transport, storage, installation and use of the Option module, including the specified environmental limitations.

Please read the IMPORTANT SAFETY INFORMATION below, and all Warning and Caution boxes elsewhere.

SAFETY NOTICES

WARNING is given where there is a hazard that could lead to injury or death of personnel.

CAUTION is given where there is a hazard that could lead to damage to equipment.

It is the responsibility of the installer to ensure that the equipment or system into which the product is incorporated complies with the EMC legislation of the country of use. Within the European Union, equipment into which this product is incorporated must comply with 2004/108/EC, Electromagnetic Compatibility.

WARNING

Within the European Union, all machinery in which this product is used must comply with the Directive 89/392/EEC, Safety of Machinery. In particular, the equipment should comply with EN60204-1.

WARRANTY

All Invertek Drives Ltd (IDL) products carry a 2-year warranty, valid from the date of manufacture.

Complete Warranty Terms and Conditions are available upon request from your IDL Authorised Distributor.

INVERTEK DRIVES LTD
Offa's Dyke Business park
Welshpool
Powys
SY21 8JF
UK

Tel +44 (0) 1938 556868
Fax +44 (0) 1938 556869
E-mail enquiry@invertek.co.uk
Internet www.invertek.co.uk

Part No. 82-485AD-IN

Iss 2.00

WARNING

- Optidrive Plus should be installed only by qualified electrical persons and in accordance with local and national regulations and codes of practice.
- **Electric shock hazard!** Disconnect and **ISOLATE** the Optidrive before attempting any work on it. High voltages are present at the terminals and within the drive for up to 10 minutes after disconnection of the electrical supply.
- Where the electrical supply to the drive is through a plug and socket connector, do not disconnect until 10 minutes have elapsed after turning off the supply.

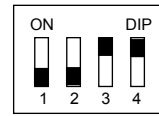
Components in the package

- USB-485 converter
- User and Installation guides
- Optistore Plus Installation CD
- USB cable
- DB9 – RJ11 cable
- DB9 – RJ45 cable
- Driver CD

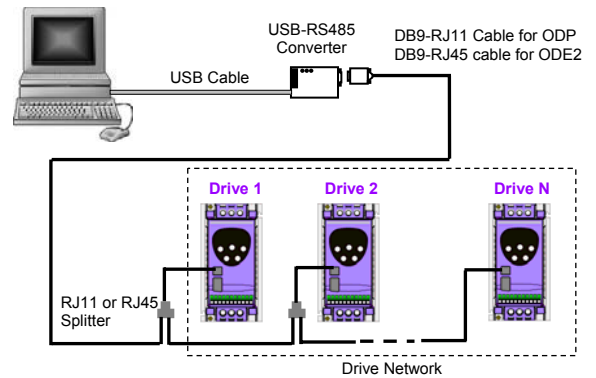
Installing the USB driver

See enclosed installation guide for more information regarding how to install the drivers on your system.

Set the 4-way DIP jumper for half duplex mode (2-wire without echo) before connecting to the drive network.



System connection diagram



QUICK START GUIDE FOR OPTISTORE V3

- Install Optistore V3 on the PC from the enclosed installation CD.
- After plugging the USB-RS485 converter into the PC, check its virtual port number on your system. For example, for windows XP, go to "Control Panel -> System -> Hardware -> Device manager -> Ports" and check that the "USB Serial Port" is present. Make a note of the virtual COM port number.
- Run Optistore V3 and select the correct COM port in the "Config -> Select Local COM port" menu.
- On the OptiStore V3 pull-down menu bar, click on "Local drive control" and select "Enable drive monitor" or "Enable drive parameter access", depending on requirements.

CONFORMITY WITH STANDARDS FOR OPTIDRIVE PLUS

- CE-marked for Low Voltage Directive.
- EN61000-4 EMC Generic Emissions Standard, Industrial Level.
- EN61000-2 EMC Generic Immunity Standard, Industrial Level.
- Enclosure ingress protection, EN60529 IP20, NEMA 250.
- Flammability rating according to UL 94.

Dr D M Jones, R & D Director